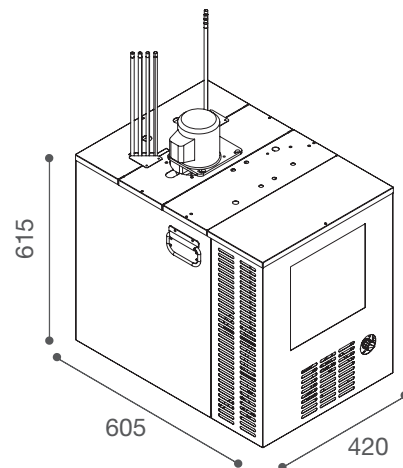


10 MIGNOLO 60



*617mm (altezza con pompa/height with pump)

Specifiche e Opzioni

- Isotech
- Vasca in rotazionale
- Condensatore ad acqua
- Doppio termostato
- Con Gas Eco-Friendly R290
- Tensione a 115V per lotti minimi di 50 pz.
- Con lamiera Inox per lotti minimi di 50 pz.

Imballo singolo

Peso: 40 Kg
 Dimensioni (LxAxP): 662x666x462 mm
 Dimensioni pallet: 800x1200 mm
 Quantità per pallet: 8

Specs and Options

- Isotech
- Rotomoulded technology
- Water condenser
- Double thermostat
- With Eco-Friendly R290 Gas
- 115V voltage version for minimum lots of 50 pcs.
- With stainless steel external sheets for minimum lots of 50 pcs.

Single packaging

Weight: 40 Kg
 Dimensions (LxHxW): 662x666x462 mm
 Size of pallet: 800x1200 mm
 No. of units per pallet: 8

Codice Code	Materiale Material	Compressore Compressor	Cap. vasca Tank cap.	Banco ghiaccio Ice bank	Prestazione Max Performance Max	N° Vie N° of coils	Pompa ricircolo Recirculation pump	Prezzi Prices
MG1260 LPR2	Skin Plate	1/2 HP	54 l	25 kg	150 l/h	-	-	
MG1260 LPR21V	Skin Plate	1/2 HP	54 l	25 kg	150 l/h	1	✓	
MG1260 LPR22V	Skin Plate	1/2 HP	54 l	25 kg	150 l/h	2	✓	
MG1260 LPR23V	Skin Plate	1/2 HP	54 l	25 kg	150 l/h	3	✓	
MG1260 LPR24V	Skin Plate	1/2 HP	54 l	25 kg	150 l/h	4	✓	
MG1260 LPR25V	Skin Plate	1/2 HP	54 l	25 kg	150 l/h	5	✓	
MG1260 LPR26V	Skin Plate	1/2 HP	54 l	25 kg	150 l/h	6	✓	
MG1260LP R20JGR2*	Skin Plate	1/2 HP	54 l	25 kg	150 l/h	-	-	

*Versione condensata ad acqua/Water condenser version.