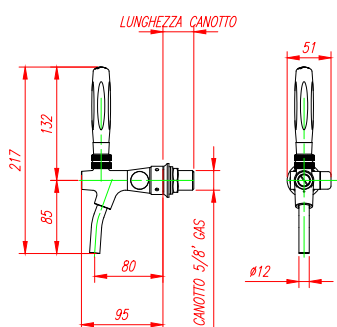
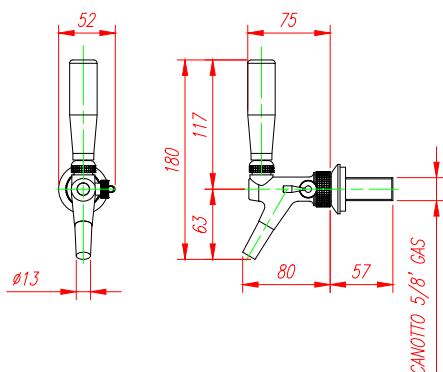


# Draft



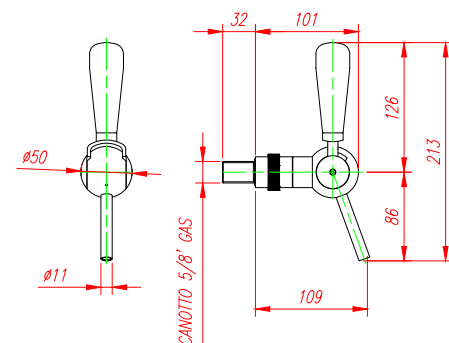
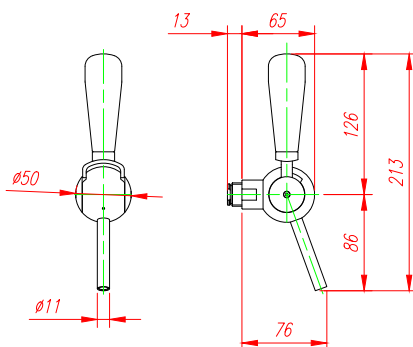
|              | OTTONE CROMATO LUCIDO<br>polished chrome plated brass | OTTONE DORATO<br>gold plated brass | FILETTO<br>thread size | PIATTO<br>flat | PORTACODOLO<br>tang holder | CANNOTTO / mm<br>backshaft / mm | CON COMPENSATORE<br>with compensator | BECCUCCIO INOX<br>stainless steel nozzle | BECCUCCIO PLASTICA<br>plastic nozzle |
|--------------|---|------------------------------------|------------------------|----------------|----------------------------|---------------------------------|--------------------------------------|--|--------------------------------------|
| DFT3512P     | ●   |                                    | 1/2"                   | ●              |                            | 35                              | ●                                    | ●  |                                      |
| DFT3512PSC   | ●   |                                    | 1/2"                   | ●              |                            | 35                              |                                      |  |                                      |
| DFT3512PD    |   | ●                                  | 1/2"                   | ●              |                            | 35                              | ●                                    | ●  |                                      |
| DFT3512PSCD  |   | ●                                  | 1/2"                   | ●              |                            | 35                              |                                      | ●  |                                      |
| DFT3558      | ●   |                                    | 5/8"                   |                | ●                          | 35                              | ●                                    | ●  |                                      |
| DFT3558SC    | ●   |                                    | 5/8"                   |                | ●                          | 35                              |                                      | ●  |                                      |
| DFT5558      | ●   |                                    | 5/8"                   |                | ●                          | 55                              | ●                                    | ●  |                                      |
| DFT5558SC    | ●   |                                    | 5/8"                   |                | ●                          | 55                              |                                      | ●  |                                      |
| DFT3558D     |   | ●                                  | 5/8"                   |                | ●                          | 35                              | ●                                    | ●  |                                      |
| DFT3558SCD   |   | ●                                  | 5/8"                   |                | ●                          | 35                              |                                      | ●  |                                      |
| DFT5558D     |   | ●                                  | 5/8"                   |                | ●                          | 55                              | ●                                    | ●  |                                      |
| DFT5558SCD   |   | ●                                  | 5/8"                   |                | ●                          | 55                              |                                      | ●  |                                      |
| RBINCBINBS   | inox  |                                    | 5/8"                   |                |                            | 35                              | ●                                    | ●  |                                      |
| RBINCBIN55BS | inox  |                                    | 5/8"                   |                |                            | 35                              | ●                                    | ●  |                                      |

# Cmb

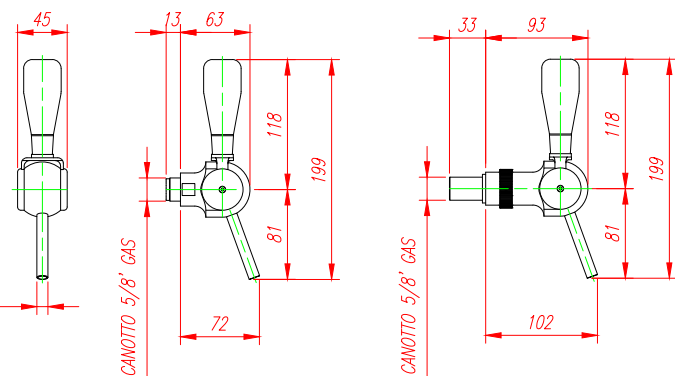


|                   | PLASTICA NERA<br>black plastic | RITORNO MOLLA<br>self closing | FILETTO<br>thread size | PIATTO<br>flat | PORTACODOLO<br>tang holder | CANNOTTO / mm<br>backshaft / mm | CON COMPENSATORE<br>with compensator | BECCUCCIO INOX<br>stainless steel nozzle | BECCUCCIO PLASTICA<br>plastic nozzle |
|-------------------|--------------------------------|-------------------------------|------------------------|----------------|----------------------------|---------------------------------|--------------------------------------|--|--------------------------------------|
| CMBPLCR1242M10    | ●                              | ●                             | 1/2"                   | ●              |                            | 35                              | ●                                    |  | ●                                    |
| CMBPLCR1242M10BIN | ●                              | ●                             | 1/2"                   | ●              |                            | 35                              | ●                                    | ●  |                                      |
| CMBPLCRMN12M10    | ●                              |                               | 1/2"                   | ●              |                            | 42                              | ●                                    |  | ●                                    |
| CMBPLCRMN12M10BIN | ●                              |                               | 1/2"                   | ●              |                            | 42                              | ●                                    | ●  |                                      |
| CMBPLCR5835M10    | ●                              | ●                             | 5/8"                   |                | ●                          | 57                              | ●                                    |  | ●                                    |
| CMBPLCR5857M10IN  | ●                              | ●                             | 5/8"                   |                | ●                          | 57                              | ●                                    | ●  |                                      |
| CMBPLCR5835M10P   | ●                              | ●                             | 5/8"                   | ●              |                            | 35                              | ●                                    |  | ●                                    |
| CMBPLCR5835M10BX  | ●                              | ●                             | 5/8"                   | ●              |                            | 35                              | ●                                    | ●  |                                      |
| CMBPLCRMN58M10    | ●                              |                               | 5/8"                   |                | ●                          | 57                              | ●                                    |  | ●                                    |
| CMBPLCRMN58M10IN  | ●                              |                               | 5/8"                   |                | ●                          | 57                              | ●                                    | ●  |                                      |
| CMBX2PLCR5835M10  | ●                              |                               | 5/8"                   |                | ●                          | 57                              |                                      |  | ●                                    |

|              | <b>ACCIAIO INOX LUCIDO</b><br>polished stainless steel | <b>ACCIAIO INOX DORATO</b><br>gold plated stainless steel | <b>FILETTO</b><br>thread size | <b>PIATTO</b><br>flat | <b>CANNOTTO / mm</b><br>backshaft / mm | <b>CON COMPENSATORE</b><br>with compensator | <b>STOUT</b><br>stout |
|--------------|--|---|-------------------------------|-----------------------|--|---|-----------------------|
| DPIN1212     | ●  |   | 1/2"                          | ●                     | 12                                     |   |                       |
| DPIN1230     | ●  |   | 1/2"                          | ●                     | 30                                     |   |                       |
| DPINST1212   | ●  |   | 1/2"                          | ●                     | 12                                     |   | ●                     |
| DPINST1230   | ●  |   | 1/2"                          | ●                     | 30                                     |   | ●                     |
| DPINC1212    | ●  |   | 1/2"                          | ●                     | 12                                     | ●   |                       |
| DPINC1230    | ●  |   | 1/2"                          | ●                     | 30                                     | ●   |                       |
| DPINCST1212  | ●  |   | 1/2"                          | ●                     | 12                                     | ●   | ●                     |
| DPINCST1230  | ●  |   | 1/2"                          | ●                     | 30                                     | ●   | ●                     |
| DPING1212    |  | ●   | 1/2"                          | ●                     | 12                                     |   |                       |
| DPING1230    |  | ●   | 1/2"                          | ●                     | 30                                     |   |                       |
| DPINGST1212  |  | ●   | 1/2"                          | ●                     | 12                                     |   | ●                     |
| DPINGST1230  |  | ●   | 1/2"                          | ●                     | 30                                     |   | ●                     |
| DPINGC1212   |  | ●   | 1/2"                          | ●                     | 12                                     | ●   |                       |
| DPINGC1230   |  | ●   | 1/2"                          | ●                     | 30                                     | ●   |                       |
| DPINGCST1212 |  | ●   | 1/2"                          | ●                     | 12                                     | ●   | ●                     |
| DPINGCST1230 |  | ●   | 1/2"                          | ●                     | 30                                     | ●   | ●                     |
| DPINC5812    | ●  |   | 5/8"                          | ●                     | 12                                     | ●   |                       |
| DPINC5830    | ●  |   | 5/8"                          | ●                     | 30                                     | ●   |                       |
| DPINCST5812  | ●  |   | 5/8"                          | ●                     | 12                                     | ●   | ●                     |
| DPINCST5830  | ●  |   | 5/8"                          | ●                     | 30                                     | ●   | ●                     |
| DPINGC5812   |  | ●   | 5/8"                          | ●                     | 12                                     | ●   |                       |
| DPINGC5830   |  | ●   | 5/8"                          | ●                     | 30                                     | ●   |                       |
| DPINGCST5812 |  | ●   | 5/8"                          | ●                     | 12                                     | ●   | ●                     |
| DPINGCST5830 |  | ●   | 5/8"                          | ●                     | 30                                     | ●   | ●                     |



# VVB ALPHA



|            | ACCIAIO INOX LUCIDO<br>polished stainless steel | FILETTO<br>thread size | PIATTO<br>flat | PORTACODOLO<br>tang holder | CANNOTTO / mm<br>backshaft / mm | CON COMPENSATORE<br>with compensator | STOUT<br>stout |
|------------|---|------------------------|----------------|----------------------------|---------------------------------|--------------------------------------|----------------|
| VVBCR1212  | ●   | 1/2"                   | ●              |                            | 12                              |                                      |                |
| VVBCR5825  | ●   | 5/8"                   |                | ●                          | 25                              |                                      |                |
| VVBCRC1212 | ●   | 1/2"                   | ●              |                            | 12                              | ●                                    |                |
| VVBCRC1225 | ●   | 1/2"                   | ●              |                            | 25                              | ●                                    |                |
| VVBCRC5825 | ●   | 5/8"                   |                | ●                          | 25                              | ●                                    |                |
| VVBCRC5835 | ●   | 5/8"                   |                | ●                          | 35                              | ●                                    |                |

## Valvole Post-Mix

post-mix valves



|        |   |
|--------|---|
| N6560  | Valvola Flomatic meccanica<br><i>Mechanical Flomatic valve</i>  |
| N6561  | Valvola Flomatic con leva elettrica<br><i>Flomatic valve with electrical lever</i>                      |
| N6562  | Valvola Flomatic con portion control elettrica<br><i>Flomatic valve with electrical portion control</i> |
| N6563  | Valvola Flomatic con push-button elettrica<br><i>Flomatic valve with electrical push-button</i>         |
| N6565  | Blocco montaggio valvola Flomatic elettrica<br><i>Mounting block for electrical Flomatic valve</i>      |
| N6668  | Valvola Lancer LEV 3oz.<br><i>Lancer valve LEV 3oz.</i>   |
| N6669  | Valvola Lancer LEV leva Soda 3oz.<br><i>Lancer valve with soda lever 3oz.</i>                           |
| N91202 | Valvola Lancer con portion-control 3oz.<br><i>Lancer valve with portion control 3oz.</i>                |
| N6611  | Blocco montaggio valvola Lancer<br><i>Mounting block for Lancer valve</i>                               |
| N6643  | Bicchierino Soda universale<br><i>Generic brix cylinder</i>   |
| N92711 | Trasformatore TE 220/24V 100W<br><i>Transformer TE 220/24V 100 W</i>                                    |
| N3912  | Cavetto alimentazione valvola<br><i>Supply valve cable</i>  |

# Pomelli per rubinetti

|   | COLORE BIANCO<br>white colour                 | COLORE BEIGE<br>beige colour | COLORE BLU<br>blue colour | COLORE NERO<br>black colour | COLORE RADICA<br>walnut lacquered effect | TRASPARENTE<br>transparent | PAILLETES<br>sparkling | TINTA NOCE<br>dark wood | LEGNO NATURALE<br>light wood | INSERTI OTTONE CROMATO<br>chrome plated brass inserts | INSERTI OTTONE DORATO<br>gold plated brass inserts | ALLUMINIO LUCIDO<br>polished aluminium | ALLUMINIO SATINATO<br>satin-finished aluminium | ALTEZZA / mm<br>height / mm | FILETTATURA / MA.<br>thread / ma. |
|---|---|------------------------------|---------------------------|-----------------------------|--|----------------------------|------------------------|-------------------------|------------------------------|---|--|--|--|-----------------------------|-----------------------------------|
| <b>RESINA OPACA COLORATA</b>            | opaque handles made of coloured acrylic resin |                              |                           |                             |  |                            |                        |                         |                              |   |  |  |  |                             |                                   |
| MRNR                                    |   |                              |                           | •                           |  |                            |                        |                         |                              |   |  |  |  | 170                         | 10                                |
| MRBL                                    |   |                              | •                         |                             |  |                            |                        |                         |                              |   |  |  |  | 170                         | 10                                |
| MRBG                                    |   | •                            |                           |                             |  |                            |                        |                         |                              |   |  |  |  | 170                         | 10                                |
| MRBN                                    | •   |                              |                           |                             |  |                            |                        |                         |                              |   |  |  |  | 170                         | 10                                |
| MRRD                                    |   |                              |                           |                             | •  |                            |                        |                         |                              |   |  |  |  | 170                         | 10                                |
| <b>RESINA TRASPARENTE CON PAILLETES</b> | transparent handles with sparkling            |                              |                           |                             |  |                            |                        |                         |                              |   |  |  |  |                             |                                   |
| MRNRAR                                  |   |                              |                           | •                           |  |                            | ••                     |                         |                              |   |  |  |  | 170                         | 10                                |
| MRBLAR                                  |   |                              | •                         |                             |  |                            | ••                     |                         |                              |   |  |  |  | 170                         | 10                                |
| MRTRAR                                  |   |                              |                           |                             |  | •                          | ••                     |                         |                              |   |  |  |  | 170                         | 10                                |
| <b>LEGNO</b>                            | wood  |                              |                           |                             |  |                            |                        |                         |                              |   |  |  |  |                             |                                   |
| MLSCR                                   |   |                              |                           |                             |  |                            |                        | •                       |                              | •   |  |  |  | 120                         | 10                                |
| MLSG                                    |   |                              |                           |                             |  |                            |                        | •                       |                              | •   | •  |  |  | 120                         | 10                                |
| MLCCR                                   |   |                              |                           |                             |  |                            |                        |                         | ••                           | •   |  |  |  | 120                         | 10                                |
| MLCG                                    |   |                              |                           |                             |  |                            |                        |                         | ••                           | •   | •  |  |  | 120                         | 10                                |
| MLSCR160                                |   |                              |                           |                             |  |                            |                        | •                       |                              | •   |  |  |  | 160                         | 10                                |
| MLSG160                                 |   |                              |                           |                             |  |                            |                        | •                       |                              | •   | •  |  |  | 160                         | 10                                |
| MLCCR160                                |   |                              |                           |                             |  |                            |                        |                         | ••                           | •   |  |  |  | 160                         | 10                                |
| MLCG160                                 |   |                              |                           |                             |  |                            |                        |                         | ••                           | •   | •  |  |  | 160                         | 10                                |
| <b>ALLUMINIO</b>                        | aluminium                                     |                              |                           |                             |  |                            |                        |                         |                              |   |  |  |  |                             |                                   |
| MAL                                     |   |                              |                           |                             |  |                            |                        |                         |                              |   |  | •                                      |  | 63                          | 10                                |
| MAS                                     |   |                              |                           |                             |  |                            |                        |                         |                              |   |  |  | •  | 63                          | 10                                |
| MAL140                                  |   |                              |                           |                             |  |                            |                        |                         |                              |   |  | •                                      |  | 140                         | 10                                |
| MAS140                                  |   |                              |                           |                             |  |                            |                        |                         |                              |   |  |  | •  | 140                         | 10                                |



|            | <b>SOSTEGNO RIALZATO</b><br>high support | <b>DISTANZIALE 5/8"</b><br>distance ring 5/8" | <b>SUPPORTO CONICO</b><br>conical support | <b>OTTONE CROMATO LUCIDO</b><br>polished chrome plated brass | <b>OTTONE DORATO</b><br>gold plated brass | <b>PLASTICA CROMATA</b><br>chrome plated ABS | <b>PLASTICA DORATA</b><br>gold plated ABS | <b>PLEXIGLASS NERO 685 MM</b><br>blackrylic 685 mm | <b>NUMERO DI VIE</b><br>number of lines | <b>DIAMETRO / Ø mm</b><br>diameter mm | <b>COLONNA DADA</b><br>tower model "Dada" | <b>COLONNA EVOLUTION</b><br>tower model "Evolution" | <b>COLONNA SLIM EVOLUTION</b><br>tower model "Slim Evolution" | <b>COLONNA OXER</b><br>tower model "Oxer" | <b>COLONNA ZAR</b><br>tower model "Zar" |
|------------|--|---|---|--|---|--|---|--|---|---------------------------------------|---|---|---|---|---|
| MDCR80     |  |   |   | •  |   |  |   |  | 1                                       | 80                                    |   |   |   |   |   |
| MDCR90     |  |   |   | •  |   |  |   |  | 1                                       | 90                                    |   |   |   |   |   |
| MDCR5880   |  | •   |   | •  |   |  |   |  | 1                                       | 80                                    |   |   |   |   |   |
| MDCR5890   |  | •   |   | •  |   |  |   |  | 1                                       | 90                                    |   |   |   |   |   |
| MDG80      |  |   |   |  | •   |  |   |  | 1                                       | 80                                    |   |   |   |   |   |
| MDG90      |  |   |   |  | •   |  |   |  | 1                                       | 90                                    |   |   |   |   |   |
| MDG5880    |  | •   |   | •  | •   |  |   |  | 1                                       | 80                                    |   |   |   |   |   |
| MDG5890    |  | •   |   | •  | •   |  |   |  | 1                                       | 90                                    |   |   |   |   |   |
| MCCR180    |  |   | •   | •  |   |  |   |  | 1                                       | 80                                    |   |   |   |   |   |
| MCCR190    |  |   | •   | •  |   |  |   |  | 1                                       | 90                                    |   |   |   |   |   |
| MCG180     |  |   | •   |  | •   |  |   |  | 1                                       | 80                                    |   |   |   |   |   |
| MCG190     |  |   | •   |  | •   |  |   |  | 1                                       | 90                                    |   |   |   |   |   |
| MECR80D    | •  | •   |   | •  |   |  |   |  | 1                                       | 80                                    |   |   |   |   |   |
| MECR90D    | •  | •   |   | •  |   |  |   |  | 1                                       | 90                                    |   |   |   |   |   |
| MEG80D     | •  | •   |   |  | •   |  |   |  | 1                                       | 80                                    |   |   |   |   |   |
| MEG90D     | •  | •   |   |  | •   |  |   |  | 1                                       | 90                                    |   |   |   |   |   |
| MDACR5890  |  | •   |   |  |   | •  |   |  | 1                                       | 90                                    |   |   |   |   |   |
| MDADR5890  |  | •   |   |  |   |  | •   |  | 1                                       | 90                                    |   |   |   |   |   |
| MCCR180G   |  |   |   | •  |   |  |   |  | 1                                       | 80                                    | •   |   |   |   |   |
| MDDCR31P80 |  |   |   | •  |   |  |   |  | 3                                       | 80                                    | •   |   |   |   |   |
| MDDCR41P80 |  |   |   | •  |   |  |   |  | 4                                       | 80                                    | •   |   |   |   |   |
| MDDCR42P80 |  |   |   | •  |   |  |   |  | 4                                       | 80                                    | •   |   |   |   |   |
| MDDCR51P80 |  |   |   | •  |   |  |   |  | 5                                       | 80                                    | •   |   |   |   |   |
| MEVCR180   |  |   |   | •  |   |  |   |  | 1                                       | 80                                    |   | •   |   |   |   |
| MEVCR280   |  |   |   | •  |   |  |   |  | 2                                       | 80                                    |   | •   |   |   |   |
| MEVCR380   |  |   |   | •  |   |  |   |  | 3                                       | 80                                    |   | •   |   |   |   |
| MEVCR190   |  |   |   | •  |   |  |   |  | 1                                       | 90                                    |   | •   |   |   |   |
| MEVCR290   |  |   |   | •  |   |  |   |  | 2                                       | 90                                    |   | •   |   |   |   |
| MEVCR390   |  |   |   | •  |   |  |   |  | 3                                       | 90                                    |   | •   |   |   |   |
| MEVG180    |  |   |   |  | •   |  |   |  | 1                                       | 80                                    |   | •   |   |   |   |
| MEVG280    |  |   |   |  | •   |  |   |  | 2                                       | 80                                    |   | •   |   |   |   |
| MEVG380    |  |   |   |  | •   |  |   |  | 3                                       | 80                                    |   | •   |   |   |   |
| MEVG190    |  |   |   |  | •   |  |   |  | 1                                       | 90                                    |   | •   |   |   |   |
| MEVG290    |  |   |   |  | •   |  |   |  | 2                                       | 90                                    |   | •   |   |   |   |
| MEVG390    |  |   |   |  | •   |  |   |  | 3                                       | 90                                    |   | •   |   |   |   |
| MEV5CR580  |  |   |   | •  |   |  |   |  | 5                                       | 80                                    |   | •   |   |   |   |
| MNEVCR480  |  |   |   | •  |   |  |   |  | 4                                       | 80                                    |   |   | •   |   |   |
| MNEVG480   |  |   |   |  | •   |  |   |  | 4                                       | 80                                    |   |   | •   |   |   |
| 010323     |  |   |   |  |   |  |   | •  | 6                                       | 80                                    |   |   |   | •   |   |
| MZAR1CR80  |  |   |   | •  |   |  |   |  | 1                                       | 80                                    |   |   |   |   | •                                       |
| MZAR2CR80  |  |   |   | •  |   |  |   |  | 2                                       | 80                                    |   |   |   |   | •                                       |
| MZAR1DR80  |  |   |   |  | •   |  |   |  | 1                                       | 80                                    |   |   |   |   | •                                       |
| MZAR2DR80  |  |   |   |  | •   |  |   |  | 2                                       | 80                                    |   |   |   |   | •                                       |



# Medaglioni luminosi



MDL2F **MEDAGLIONE LUMINOSO LED BIFACCIALE - TONDO**  
*Illuminated LED bifacial badge holder - round*

**2 options**

- Illuminazione con alimentazione 12 V corrente continua (trasformatore 12 V)
- Illumination - power supply 12 V (transformer 12 V)
- Illuminazione con alimentazione 24 V corrente continua (trasformatore 24 V)
- Illumination - power supply 24 V (transformer 24 V)



MDL1F **MEDAGLIONE LUMINOSO LED MONOFACCIALE- TONDO**  
*Illuminated LED monofacial badge holder - round*

**2 options**

- Illuminazione con alimentazione 12 V corrente continua (trasformatore 12 V)
- Illumination - power supply 12 V (transformer 12 V)
- Illuminazione con alimentazione 24 V corrente continua (trasformatore 24 V)
- Illumination - power supply 24 V (transformer 24 V)



MDL2FO **MEDAGLIONE LUMINOSO LED BIFACCIALE - OVALE**  
*Illuminated LED bifacial badge holder - oval*

**2 options**

- Illuminazione con alimentazione 12 V corrente continua (trasformatore 12 V)
- Illumination - power supply 12 V (transformer 12 V)
- Illuminazione con alimentazione 24 V corrente continua (trasformatore 24 V)
- Illumination - power supply 24 V (transformer 24 V)

Basi raccogli gocce

drip tray bases



L = lateral  
C = central

|                  | ACCIAIO INOX LUCIDO<br>polished stainless steel | CON GRIGLIA<br>with grid | RAGGIO DI SOLE<br>with sunray design | SCARICO<br>drain | SCIACQUABICCHIERE (SB)<br>glass freshener | POSIZIONE SB/SCARICO<br>glass freshener/ drain position | BASE / mm | ALTEZZA / mm<br>height / mm |
|------------------|---|--------------------------|--------------------------------------|------------------|---|---|-----------|-----------------------------|
| RGGISB25040040   | ●   | ●                        |                                      | ●                | ●   | C   | 250x400   | 40                          |
| RGGI40040050     | ●   | ●                        |                                      | ●                |   | C   | 400x400   | 50                          |
| RGGISB40040050   | ●   | ●                        |                                      | ●                | ●   | C   | 400x400   | 50                          |
| RGGI50040040     | ●   | ●                        |                                      | ●                |   | C   | 500x400   | 40                          |
| RGGISB50040040   | ●   | ●                        |                                      | ●                | ●   | C   | 500x400   | 40                          |
| RGGI60040050     | ●   | ●                        |                                      | ●                |   | C   | 600x400   | 50                          |
| RGGISB60040050   | ●   | ●                        |                                      | ●                | ●   | C   | 600x400   | 50                          |
| RGGI70040040     | ●   | ●                        |                                      | ●                |   | C   | 700x400   | 40                          |
| RGGISB70040040   | ●   | ●                        |                                      | ●                | ●   | C   | 700x400   | 40                          |
| RGGI60050050     | ●   | ●                        |                                      | ●                |   | C   | 600x500   | 50                          |
| RGGISB60050050   | ●   | ●                        |                                      | ●                | ●   | C   | 600x500   | 50                          |
| RGGI80050050     | ●   | ●                        |                                      | ●                |   | C   | 800x500   | 50                          |
| RGGISB80050050   | ●   | ●                        |                                      | ●                | ●   | C   | 800x500   | 50                          |
| RGGI100050050    | ●   | ●                        |                                      | ●                |   | C   | 1000x500  | 50                          |
| RGGISB100050050  | ●   | ●                        |                                      | ●                | ●   | C   | 1000x500  | 50                          |
| RGRS160050050    | ●   |                          | ●                                    | ●                |   | C   | 600x500   | 50                          |
| RGRSISB60050050  | ●   |                          | ●                                    | ●                | ●   | C   | 600x500   | 50                          |
| RGRS170050050    | ●   |                          | ●                                    | ●                |   | C   | 700x500   | 50                          |
| RGRSISB70050050  | ●   |                          | ●                                    | ●                | ●   | C   | 700x500   | 50                          |
| RGRS180050050    | ●   |                          | ●                                    | ●                |   | C   | 800x500   | 50                          |
| RGRSISB80050050  | ●   |                          | ●                                    | ●                | ●   | C   | 800x500   | 50                          |
| RGRS1100050050   | ●   |                          | ●                                    | ●                |   | C   | 1000x500  | 50                          |
| RGRSISB100050050 | ●   |                          | ●                                    | ●                | ●   | C   | 1000x500  | 50                          |
| RGRS1120050050   | ●   |                          | ●                                    | ●                |   | C   | 1200x500  | 50                          |
| RGRSISB120050050 | ●   |                          | ●                                    | ●                | ●   | C   | 1200x500  | 50                          |

Raccogli gocce con griglia

drip trays with grid



L = lateral  
C = central

|                   | Da appoggio |   |  |   |   |   | stand alone |    |  |
|-------------------|-------------|---|--|---|---|---|-------------|----|--|
| RG15022030        | ●           | ● |  |   |   | - | 150x220     | 30 |  |
| RGISB15022030     | ●           | ● |  | ● | ● | L | 150x220     | 30 |  |
| RG130018030       | ●           | ● |  |   |   | - | 300x180     | 30 |  |
| RGISB30018030     | ●           | ● |  | ● | ● | C | 300x180     | 30 |  |
| RGISB40018030C    | ●           | ● |  | ● | ● | C | 400x180     | 30 |  |
| RGISB40018030     | ●           | ● |  | ● | ● | L | 400x180     | 30 |  |
| RG140022030       | ●           | ● |  |   |   | - | 400x220     | 30 |  |
| RGISB40022030     | ●           | ● |  | ● | ● | L | 400x220     | 30 |  |
| RG150018030       | ●           | ● |  |   |   | - | 500x180     | 30 |  |
| RGISB50018030     | ●           | ● |  | ● | ● | C | 500x180     | 30 |  |
| RG160022030       | ●           | ● |  |   |   | - | 600x220     | 30 |  |
| RGISB60022030     | ●           | ● |  | ● | ● | L | 600x220     | 30 |  |
| RG180022030       | ●           | ● |  |   |   | - | 800x220     | 30 |  |
| RGISB80022030     | ●           | ● |  | ● | ● | C | 800x220     | 30 |  |
| RGISB80022030L    | ●           | ● |  | ● | ● | L | 800x220     | 30 |  |
| RG1100022030      | ●           | ● |  |   |   | - | 1000x220    | 30 |  |
| RGISB100022030    | ●           | ● |  | ● | ● | L | 1000x220    | 30 |  |
|                   | Da Incasso  |   |  |   |   |   | recessed    |    |  |
| RG140022030IN     | ●           | ● |  | ● |   | - | 400x220     | 30 |  |
| RGISB40022030IN   | ●           | ● |  | ● | ● | L | 400x220     | 30 |  |
| RG160022030IN     | ●           | ● |  | ● |   | - | 600x220     | 30 |  |
| RGISB60022030IN   | ●           | ● |  | ● | ● | L | 600x220     | 30 |  |
| RG180022030IN     | ●           | ● |  | ● |   | - | 800x220     | 30 |  |
| RGISB80022030IN   | ●           | ● |  | ● | ● | C | 800x220     | 30 |  |
| RGISB80022030INL  | ●           | ● |  | ● | ● | L | 800x220     | 30 |  |
| RGISB100022030IN  | ●           | ● |  | ● | ● | C | 1000x220    | 30 |  |
| RGISB100022030INL | ●           | ● |  | ● | ● | L | 1000x220    | 30 |  |

|                | <b>ACCIAIO INOX LUCIDO</b><br>polished stainless steel | <b>SCARICO</b><br>drain | <b>SCIACQUABICCHIERE (SB)</b><br>glass freshener | <b>POSIZIONE SB/SCARICO</b><br>glass freshener/ drain position | <b>DIAMETRO / Ø mm</b><br>diameter mm | <b>BASE / mm</b> | <b>ALTEZZA / mm</b><br>height / mm |
|----------------|--|-------------------------|--|--|---------------------------------------|------------------|------------------------------------|
| PBI50050050    | ●  | ●                       |  | C  |                                       | 500x500          | 50                                 |
| PBI70050050    | ●  | ●                       |  | C  |                                       | 700x500          | 50                                 |
| PBI80050050    | ●  | ●                       |  | C  |                                       | 800x500          | 50                                 |
| PBISB80050050  | ●  | ●                       | ●  | C  |                                       | 800x500          | 50                                 |
| PBI100050050   | ●  | ●                       |  | C  |                                       | 1000x500         | 50                                 |
| PBISB100050050 | ●  | ●                       | ●  | C  |                                       | 1000x500         | 50                                 |



L = lateral  
C = central

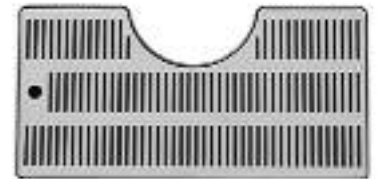
shaped drip trays

Raccogli gocce sagomati ed in plastica

Da appoggio

stand alone

|                   |   |  |  |   |     |         |    |
|-------------------|---|--|--|---|-----|---------|----|
| RGI40022030D130   | ● |  |  | - | 130 | 400x220 | 30 |
| RGI40022030D150   | ● |  |  | - | 150 | 400x220 | 30 |
| 010725 (plastica) | - |  |  |   |     | 340x180 | 30 |



sinks

Lavelli

|                | <b>ACCIAIO INOX LUCIDO</b><br>polished stainless steel | <b>1 VASCA</b><br>1 bowl | <b>2 VASCHE CENTRALI</b><br>2 central bowls | <b>2 VASCHE A DESTRA</b><br>2 bowls on right | <b>2 VASCHE A SINISTRA</b><br>2 bowls on left | <b>BASE / mm</b> | <b>ALTEZZA / mm</b><br>height / mm |
|----------------|--|--------------------------|---|--|---|------------------|------------------------------------|
| LVI130050050 * | ●  | ●                        |   |  |   | 300x500          | 50                                 |
| LVI280050050   | ●  |                          | ●   |  |   | 800x500          | 50                                 |
| LVI2100050050C | ●  |                          | ●   |  |   | 1000x500         | 50                                 |
| LVI2100050050D | ●  |                          |   | ●  |   | 1000x500         | 50                                 |
| LVI2100050050S | ●  |                          |   |  | ●   | 1000x500         | 50                                 |
| LVI2120050050C | ●  |                          | ●   |  |   | 1200x500         | 50                                 |
| LVI2120050050D | ●  |                          |   | ●  |   | 1200x500         | 50                                 |
| LVI2120050050S | ●  |                          |   |  | ●   | 1200x500         | 50                                 |



\* per Spuelboy

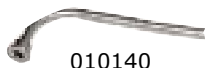


Accessori per lavelli *Accessories for sinks* (pag. 63)

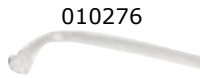
|       |  |
|-------|--|
| SCLV  | Scarico combinato<br><i>Drain for sink</i>                         |
| RCRLV | Rubinetto cromato per lavello<br><i>Chrome plated tap for sink</i> |
| SPZTR | Spazzola lavabicchiere tripla<br><i>Triple glass brushes</i>       |



# Accessori per colonne



010140



010276



010119



010118

010124



010160

010149



010150

010089



010088

010169

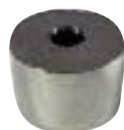


010168

010285



RLZIX



|         |   |
|---------|---|
| 010137  | Asta inox Ø 6 mm 1 MT.<br><i>Stainless steel tube in Ø 6 mm</i>   |
| 010139  | Asta inox Ø 7,5 mm 1 MT.<br><i>Stainless steel tube in Ø 7,5 mm</i>   |
| 0101391 | Asta inox Ø 7,5 mm 1,5 MT.<br><i>Stainless steel tube in Ø 7,5 mm</i>   |
| 010140  | Asta inox Ø 8 mm 1 MT.<br><i>Stainless steel tube in Ø 8 mm</i>   |
| 0101401 | Asta inox Ø 8 mm 1,5 MT.<br><i>Stainless steel tube in Ø 8 mm</i>   |
| 010142  | Asta inox Ø 8 mm niplo 5/8" inox con codulo 1 MT.<br><i>St.st.tube in Ø 8 mm with st.st. nipple with collar joint in 5/8"</i> |
| 010141  | Asta inox Ø 9 mm 1 MT.<br><i>Stainless steel tube in Ø 9 mm</i>   |
| 010291  | Asta 1/2" piatta PE 3/8" 90° 1200 mm<br><i>Plastic beer tube 1/2" flat 3/8" 90° 1200 mm</i>                                   |
| 010276  | Asta 5/8" con codulo PE 3/8" 90° 1200 mm<br><i>Plastic beer tube 5/8" with collar joint 3/8" 90° 1200 mm</i>                  |
| 010119  | Cannotto filettato 1" 160 mm<br><i>Threaded tube in 1" (length 160 mm)</i>  |
| 010120  | Cannotto filettato 1" 250 mm<br><i>Threaded tube in 1" (length 250 mm)</i>  |
| 010121  | Cannotto filettato 1" 1000 mm<br><i>Threaded tube in 1" (length 1000 mm)</i>  |
| 010122  | Cannotto filettato 1/2" 150 mm<br><i>Threaded tube in 1/2" (length 150 mm)</i>  |
| 010118  | Dado flangiato 1"<br><i>1" nut with locking ring</i>  |
| 010153  | Dado 1/2"<br><i>1/2" nut</i>  |
| 010151  | Dado 5/8"<br><i>5/8" nut</i>  |
| 010124  | Riduzione ottone 1" 1/2 M x 1" F<br><i>Brass reducer - 1" 1/2 M x 1" F</i>  |
| 010160  | Ghiera curva cromata<br><i>Chrome plated curved locking nut</i>   |
| 010161  | Ghiera curva foro 5/8" cromata<br><i>Chrome plated curved ring nut hole 5/8"</i>  |
| 010162  | Ghiera curva foro 5/8" ottone<br><i>Curved ring nut hole 5/8" in brass</i>  |
| 010159  | Ghiera curva ottone<br><i>Curved ring nut in brass</i>  |
| 010149  | Ghiera piatta cromata<br><i>Chrome plated flat ring nut</i>   |
| 010148  | Ghiera piatta ottone<br><i>Flat ring nut in brass</i>   |
| 010155  | Girella 1/2"<br><i>Small nut in 1/2"</i>  |
| 010150  | Girella 5/8"<br><i>Small nut in 5/8"</i>  |
| 010089  | Tappo 14x14 M10 ottone cromato per Evolution<br><i>Chrome plated brass cap for Evolution</i>                                  |
| 010088  | Tappo 14x14 M10 ottone dorato per Evolution<br><i>Gold plated brass cap for Evolution</i>                                     |
| 010169  | Morsetto cromato per colonnina<br><i>Chrome plated clamp</i>  |
| 010168  | Morsetto dorato per colonnina<br><i>Gold plated clamp</i>   |
| 010285  | Morsetto in ferro verniciato nero per colonnina<br><i>Black clamp</i>   |
| RLZIX   | Rialzo inox (Ø mm 102 / altezza mm 68)<br><i>Stainless steel base (Ø mm 102 / height mm 68)</i>                               |
| RLZIXDR | Rialzo inox dorato (Ø mm 102 / altezza mm 68)<br><i>Gold plated stainless steel base (Ø mm 102 / height mm 68)</i>            |

## Accessori per colonne &amp; rubinetti

|          |  |
|----------|--|
| 010125   | Ricircolo in plastica per colonna 1 via<br><i>Plastic recirculation for 1 line tower</i>                           |
| 0101252  | Ricircolo rame per colonna 1 via<br><i>Copper recirculation for 1 line tower</i>                                   |
| 010247   | Ricircolo rame per colonna multivia<br><i>Copper recirculation for multi lines tower</i>                           |
| 010126   | Ricircolo rame per colonna Teorema<br><i>Copper recirculation for Teorema tower</i>                                |
| 010165   | Trasformatore toroidale 10W 230-12<br><i>Transformer 10W 230-12</i>  |
| 010163   | Trasformatore toroidale 15W 230-24<br><i>Transformer 15W 230-24</i>  |
| 010164   | Trasformatore toroidale 30W 230-24<br><i>Transformer 30W 230-24</i>  |
| 010166   | Trasformatore toroidale 50W 230-12<br><i>Transformer 50W 230-12</i>  |
| 010315   | Trasformatore toroidale 50W 230-24<br><i>Transformer 50W 230-24</i>  |
| 010710   | Alimentatore LED 220V/24V DC stabilizzato a spina<br><i>LED power supplier 24V</i>                                 |
| 010328   | Alimentatore LED 220V/12V DC stabilizzato a spina<br><i>LED power supplier 12V</i>                                 |
| 030078   | Compensatore inox ghiera cromata 3/8"<br><i>Stainless steel restrictor with chrome plated ring nut in 3/8"</i>     |
| 030077   | Compensatore inox ghiera dorata 3/8"<br><i>Stainless steel restrictor with gold plated ring nut in 3/8"</i>        |
| 030034   | Estrattore per rubinetto Debitap<br><i>Extractor for Debitap tap</i>   |
| 030086   | Chiave a settore NK 20/35 per rubinetto CMB/DRAFT<br><i>Pin wrench NK 20/35 for CMB / SOFT tap</i>                 |
| 030113   | Cartuccia in teflon per rubinetto ROTOTAP<br><i>Teflon cartridge for ROTOTAP tap</i>                               |
| 030114   | Camera interna in teflon per cannotto ROTOTAP<br><i>Internal teflon seat for ROTOTAP short tube</i>                |
| SPZRB    | Spazzolino pulizia rubinetto<br><i>Cleaning brush for tap</i>  |
| 030052   | Guarnizione 5/8"<br><i>Gasket in 5/8"</i>  |
| 030054   | Guarnizione fibra 1 mm 1/2"<br><i>Gasket in 1 mm 1/2"</i>  |
| 030055   | Guarnizione fibra 3 mm 1/2"<br><i>Gasket in 3 mm 1/2"</i>  |
| 030051   | Beccuccio + filtro per rubinetto STOUT<br><i>Nozzle + filter for Stout tap</i>                                     |
| 030049   | Raccordo inox 316 L STOUT per rubinetto DEBITAP<br><i>Stainless steel union for Stout Debitap tap</i>              |
| KGRDP    | Kit guarnizioni rubinetto Debitap<br><i>Gaskets' kit for Debitap tap</i>   |
| IR1032KT | Kit guarnizioni rubinetto Draft<br><i>Gaskets' kit for Draft tap</i>   |
| 030067   | Guarnizione rossa per rubinetto CMB Speedy X1<br><i>Red gasket for CMB Speedy X1 tap</i>                           |
| 030080   | Compensatore in plastica per rubinetto CMB Speedy X1<br><i>Plastic restrictor for CMB Speedy X1 tap</i>            |
| 030081   | Leva d'apertura in plastica per rub. CMB Speedy X1<br><i>Plastic opening lever for CMB Speedy X1 tap</i>           |
| 030082   | Vite frontale nera per rubinetto CMB Speedy X1<br><i>Black frontal screw for CMB Speedy X1 tap</i>                 |
| 030083   | Leva cromata regolazione flusso per CMB Speedy X1<br><i>Chrome plated flow control screw for CMB Speedy X1 tap</i> |
| 030084   | Pistoncino di chiusura per rubinetto CMB Speedy X1<br><i>Closing piston for CMB Speedy X1 tap</i>                  |



# Accessori per rubinetti

|   |  |  |
|---|--|--|
| <p>030013</p>              | <p>030013</p> <p>Riduzione filetto 1/2" M - 3/8" F 12 mm<br/><i>Reducer for threaded tube 12 mm 1/2" M - 3/8" F</i></p>                                    |  |
| <p>TPFCR1230F151</p>        | <p>030015</p> <p>Riduzione filetto 5/8" M - 3/8" F 12 mm<br/><i>Reducer for threaded tube 12 mm 5/8" M - 3/8" F</i></p>                                    |  |
| <p>TPFCR58F12M12</p>       | <p>030014</p> <p>Riduzione filetto 1/2" M - 3/8" F 30 mm<br/><i>Reducer for threaded tube 30 mm 1/2" M - 3/8" F</i></p>                                    |  |
| <p>TPFCR58F12M1281</p>      | <p>030016</p> <p>Riduzione filetto 5/8" M - 3/8" F 30 mm<br/><i>Reducer for threaded tube 30 mm 5/8" M - 3/8" F</i></p>                                    |  |
| <p>TPFOT1230F81</p>       | <p>010110</p> <p>Riduzione filetto 1/2" F - 5/8" M 12 mm<br/><i>Reducer for threaded tube 12 mm 1/2" F - 5/8" M</i></p>                                    |  |
| <p>TPFOT58F12M12151</p>  | <p>TPFCR1230F151</p> <p>Tapfitting cromato 1/2" 30 mm foro 15,1 mm<br/><i>Chrome plated tap adapter 1/2" 30 mm hole 15,1 mm</i></p>                        |  |
| <p>030044</p>            | <p>TPFCR1230F81</p> <p>Tapfitting cromato 1/2" 30 mm foro 8,1 mm<br/><i>Chrome plated tap adapter 1/2" 30 mm hole 8,1 mm</i></p>                           |  |
| <p>030041</p>            | <p>TPFCR12F58M12</p> <p>Tapfitting cromato 1/2" F - 5/8" M 12 mm foro 15,1 mm<br/><i>Chrome plat. tap adapter 1/2" F - 5/8" M 12 mm hole 15,1 mm</i></p>   |  |
| <p>GALMCERT</p>          | <p>TPFCR12F58M12F81</p> <p>Tapfitting cromato 1/2" F - 5/8" M 12 mm foro 8,1 mm<br/><i>Chrome plated tap adapter 1/2" F - 5/8" M 12 mm hole 8,1 mm</i></p> | <p>GALMCERT</p> <p>Grasso alimentare certificato NSFH1 (grammi 70)<br/><i>Grease for food contact applications</i></p> |
|   |  |  |

Spuelboy & accessori

|           |   |
|-----------|---|
| SBTWGOTL  | Spülboy Twin-Go Telescopico doppio cilindro<br><i>Spülboy Twin-Go Telescopic - double cylinder</i>                    |
| SBTWGOTLP | Spülboy Twin-Go Telescopico portatile doppio cilindro<br><i>Portable Spülboy Twin-Go Telescopic - double cylinder</i> |
| SBNPT2000 | Spülboy Neptun T 2000<br><i>Spülboy Neptun T 2000</i>   |
| SPZESB    | Spazzola esterna Spülboy<br><i>External brush for Spülboy</i>   |
| SPZISB    | Spazzola interna Spülboy<br><i>Internal brush for Spülboy</i>   |
| TSPZISB   | Testa spazzola interna Spülboy<br><i>Head for Spülboy's internal brush</i>  |
| PSSB      | Polvere sanificante per Spülboy 1 Kg.<br><i>Cleaning powder for Spülboy's brush 1 kg.</i>                             |
| PDBCSI    | Confez. pastiglie detergenti bicchieri Spülboy 750 gr.<br><i>Detergent tablets for Spülboy 750 gr.</i>                |
| CRNTSB    | Cono risciacquo Spülboy Neptun T 2000<br><i>Conical drain for Spülboy Neptun T 2000</i>                               |
| DPARSB    | Doppio anello risciacquo Spülboy<br><i>Double ring for Spülboy's rinsing tool</i>                                     |
| PAH20SB   | Pipetta alimentazione H2O Spülboy<br><i>Water feed connection for Spülboy</i>   |
| TAARSB    | Tubo femmina aliment. anello risciacquo Spülboy Neptun<br><i>Female feed tube for Spülboy Neptun's rinsing ring</i>   |
| TAARSBT   | Tubo maschio aliment. anello risciacquo Spülboy Twin-Go<br><i>Male feed tube for Spülboy Twin-Go's rinsing ring</i>   |
| TSRNTSB   | Tappo spruzzino risciacquo Spülboy<br><i>Stopper for Spülboy's rinsing sprayer</i>                                    |
| VNSB      | Ventosa Spülboy<br><i>Spülboy's suction cul</i>   |
| SC        | Scarico per raccogliogocce<br><i>Drip tray drain</i>  |
| SBGR      | Eiettore per sciacquabicchiere griglia<br><i>Ejector for glass freshener with grill</i>                               |
| SBRS      | Eiettore per sciacquabicchiere raggio di sole<br><i>Ejector for glass freshener (sunray design)</i>                   |
| KTSBGRSC  | Kit SB e scarico per raccogliogocce con griglia<br><i>Kit glass freshener and drain for drip tray with grill</i>      |
| RCRLV     | Rubinetto cromato per lavello<br><i>Chrome plated tap for sink</i>  |
| ROTLV     | Rubinetto ottone per lavello<br><i>Brass tap for sink</i>   |
| SCLV      | Scarico combinato<br><i>Drain for sink</i>  |
| IMLVBPGM  | Imbuto plastica diametro grande<br><i>Plastic funnel with large diameter</i>  |
| IMLVBP    | Imbuto plastica diametro piccolo<br><i>Plastic funnel with small diameter</i>   |
| IMLVB     | Imbuto inox<br><i>Stainless steel funnel</i>  |
| SPZTR     | Spazzola lavabicchiere tripla<br><i>Triple glass brushes</i>  |
| SPZTRFL   | Spazzola lavabicchiere tripla "flute"<br><i>Triple brushes for "flute" glasses</i>                                    |
| SPTI      | Spatola taglia schiuma inox<br><i>Stainless steel spatula for Gobelet</i>   |
| GBI       | Gobelet inox<br><i>Stainless steel Gobelet</i>  |
| BCLP      | Bio Clean Plus 1 litro - cartone 15 bottiglie<br><i>Bio Clean Plus (1 litre) - 15 bottles in 1 box</i>                |



SBTWGOTL



SBNPT2000



SBTWGOTLP



SPZESB

SPZISB



TSPZISB

PSSB



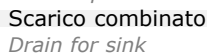
PDBCS

CRNTSB



PAH20SB

SCLV



TAARSB



TSRNTSB



IMLVBP



VNSB



SC



KTSBGRSC



RCRLV



SPZTR



SPZTRFL



SCLV

GBI + SPTI





|   | 010436<br><b>FIESTA M</b> | 010437<br><b>FIESTA L</b> | 010438<br><b>FIESTA XL</b> |
|---|---------------------------|---------------------------|----------------------------|
| <b>CAPACITA'</b> capacity   | 2 LT.                     | 3 LT.                     | 5 LT.                      |
| <b>CAPACITA' CON TUBO GHIACCIO</b><br>capacity with ice tube (optional) | -                         | 2 LT.                     | 3 LT.                      |
| <b>ALTEZZA</b> height   | 74 CM                     | 90 CM                     | 125 CM                     |



**ACCESSORI PER LA PULIZIA**

*Accessories for cleaning*

- 100032 Spazzola pulizia M *Cleaning brush M*
- 100033 Spazzola pulizia L *Cleaning brush L*
- 100034 Spazzola pulizia XL *Cleaning brush XL*
- 100035 Tubo per la pulizia *Tube for cleaning*



**ACCESSORI PER LA REFRIGERAZIONE**

*Accessories for cooling*

- 27001 Ice tube L *Ice tube L*
- 27002 Ice tube XL *Ice tube XL*
- 27003 Riserva ghiaccio esterna *External ice bank*
- 27004 Cartucce Ice tube L (set 3 pezzi) *Cartridges Ice tube L (3 pieces)*
- 27005 Cartucce Ice tube XL (set 5 pezzi) *Cartridges Ice tube XL (5 pieces)*

